

All rights reserved by **CNH Industrial**.

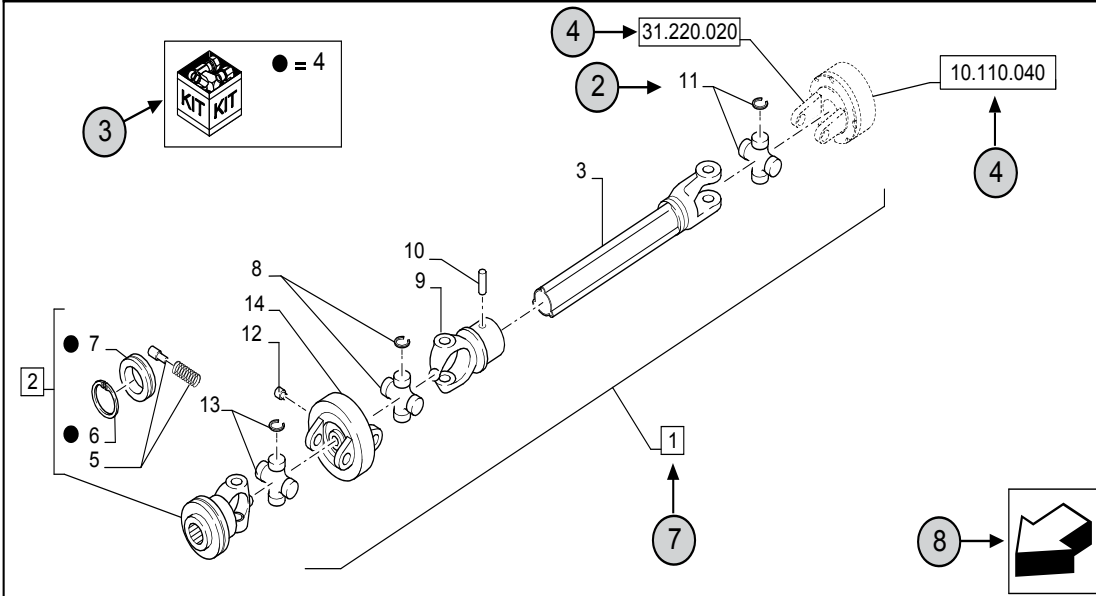
The information contained in this catalogue is intended to be of a general nature only. **CNH Industrial** may at any time and from time to time, for technical or other necessary reasons, modify any of the details or specifications of the product described in this catalogue.

To be sure of getting accurate, detailed and up-to-date information, an intending buyer should consult his nearest **CNH Industrial** dealer or distributor.

Single item numeration method used in this catalogue may not be used without written consent from **CNH Industrial**

31.220.010	01	p1	10/2014
------------	----	----	---------

VAR - 123782, 789101,987654 - PTO - D650



STANDARD ← 6


23	9	10	31.220.010	01	p1	10/2014
----	---	----	------------	----	----	---------

VAR - 123782, 789101,987654 - PTO - D650

11 12 13 14

REF	FN	PART NUMBER	YR/SN	QTY	DESCRIPTION
1	1	86529340	20	1	SHAFT PTO, Incl 2 - 11
2	15	84014007		1	YOKE, Incl 4 - 7 ← 7
3	16	NSS		1	NOT SERVICED SEPARATELY, SHAFT, 350mm, Incl in 1
4		84004292		1	KIT, Seal Kit, Incl 6, 7 ← 17
4		{84058743}		1	KIT, Seal Kit, Incl 6, 7
2	18			21	
	19			22	
		1 = FOR ITALY ONLY ← 5			

MODELS ← 1

- 1 Model Number and Model Description
- 2 Reference - Figure call-out of the part number.
- 3 Parts supplied in repair kits per symbol reference.
- 4 31.220.020 Part illustrated on the **Page** or in the **Figure** indicated, or calls for **Variations** or **Details**. Indicates components shown in detail elsewhere in the catalogue under the figure number shown.
- 5 Footnote references
- 6 Figure notes
- 7 1 2 Includes item(s) ..... (See Description within partlist).
- 8 Orientation. (Arrow indicates front of the machine). 
- 9 Figure description.
- 10 General information of the figure.
- 11 Figure title number that aligns with the SRT. Standard Repair Time.
- 12 **Sequence** code within the assembly.
- 13 Page number within the sequence code.
- 14 **Date** of printing or updating of page (month-year).
- 15 **Note** - Relating to the Part Number. There is a key to symbols and abbreviations at the bottom of the text page.
- 16 Non-serviced parts.
- 17 Further description of the part to help confirm identification.
- 18 Not available as service part.
- 19 Part Number.
- 20 To be defined.
- 21 Total **Quantity** of the Part referred to in the page.  
The quantity can be replaced by the following indications:  
**AR** = quantity as requested.
- 22 Part **Description**.
- 23 Variant Codes

---

## TABLE OF CONTENTS

---

.0001		NO. AMER. D.I.A. ACCESSORIES
0.01.1		INITIAL STOCKING LIST (LIST A)
0.05.4	01	MAINTENANCE PARTS - FILTERS
0.05.4	02	MAINTENANCE PARTS - STARTER MOTOR, ALTERNATOR, BELTS
0.05.4	03	MAINTENANCE PARTS - FUSES
0.05.4	04	MAINTENANCE PARTS - BULBS
0.05.4	05	MAINTENANCE PARTS - PUMPS
MAIN		SECTIONS
MPARTS	01	MAINTENANCE PARTS
0.02.1		ENGINE ASSY
0.04.0	01	CYLINDER BLOCK & RELATED PARTS
0.04.0	02	CYLINDER BLOCK & RELATED PARTS
0.04.2		OIL SUMP & RELATED PARTS
0.04.3		ENGINE COVERS & GASKETS
0.06.0	01	CYLINDER HEAD & RELATED PARTS
0.06.0	02	CYLINDER HEAD, ROCKER ARM, VALVES & RELATED PARTS - C4906
0.06.0	02A	CYLINDER HEAD, ROCKER ARM, VALVES & RELATED PARTS - D4906
0.06.0	03	CYLINDER HEAD, ROCKER ARM, VALVES & RELATED PARTS - C4906
0.07.0		INTAKE AND EXHAUST MANIFOLDS
0.08.0		CRANKSHAFT & RELATED PARTS
0.08.2	01	PISTON & CONNECTING ROD
0.08.2	02	PISTON & CONNECTING ROD
0.08.2	03	PISTON & CONNECTING ROD
0.08.4		DAMPER AND FLYWHEEL
0.12.0		DRIVE-GEARING TAPPETS AND PUSHRODS
0.14.0	01	FUEL SYSTEM
0.14.0	02	FUEL SYSTEM
0.14.0/A	01	INJECTOR BREAKDOWN
0.14.0/A	02	INJECTOR BREAKDOWN
0.14.0/B		FUEL FILTER BREAKDOWN
0.14.0/C		SEPARATOR ASSY FUEL/WATER BREAKDOWN
0.24.0		TURBOCHARGER & RELATED PARTS
0.24.0/A		TURBOCHARGER BREAKDOWN
0.30.0		PUMP, ENGINE OIL
0.30.2		FILTER, ENGINE OIL
0.31.0		CRANKCASE OIL COOLER ASSY

---

## TABLE OF CONTENTS

---

0.31.0/A		CRANKCASE OIL COOLER - BREAKDOWN
0.34.7		WATER PUMP / FAN
0.34.7/A		WATER PUMP BREAKDOWN
0.36.0		STARTER MOTOR
0.36.0/A		STARTER MOTOR BREAKDOWN
0.40.0		ALTERNATOR
0.40.0/A		ALTERNATOR BREAKDOWN
0.40.0/B		(VAR.179) ALTERNATOR BREAKDOWN
SEC. 01		ENGINE
042		ADDITIONAL FUEL TANK
1.14.0		FUEL TANK
1.14.2		ADDITIONAL FUEL TANK
1.14.6		FUEL LINES
1.14.7		FUEL TANK SUPPORT
1.15.1	01	SILENCER (MUFFLER)
1.15.1	02	SILENCER (MUFFLER)
1.17.0	01	RADIATOR & RELATED PARTS
1.17.0	02	RADIATOR & RELATED PARTS
1.17.0/86	01	PIPES FOR AIR CONDITIONING
1.17.0/86	02	PIPES FOR AIR CONDITIONING
1.17.0/87		CONDENSER AND DEHYDRATING FILTER FOR AIR CONDITIONING
1.17.0/88		COMPRESSOR, AIR CONDITIONING
1.17.0/88A		COMPRESSOR BREAKDOWN, AIR CONDITIONING - C4590
1.17.0/88B		COMPRESSOR BREAKDOWN, AIR CONDITIONING - D4590
1.17.1		COOLING - EXPANSION TANK
1.17.9		HEAT EXCHANGER
1.19.1	01	DRY AIR FILTER - PIPES
1.19.1	02	DRY AIR FILTER - PIPES
131		FIRE SHIELD
198	01	AIR CLEANER W/PRECLEANER
198	02	AIR CLEANER W/PRECLEANER
206		ENGINE COOLANT HEATER
SEC. 02		ENGINE EQUIP.
1.21.0	01	HOUSING, GEARS
1.21.0	02	HOUSING, GEARS
1.21.0	03	HOUSING, GEARS

---

## TABLE OF CONTENTS

---

1.21.1		SUPPORT FOR 2WD FRONT AXLE
1.21.1/ 1	01	SUPPORT FOR 4WD FRONT AXLE
1.21.1/ 1	02	SUPPORT FOR 4WD FRONT AXLE
1.21.1/ 1	03	SUPPORT FOR 4WD SUPERSTEER FRONT AXLE
1.21.1/ 1	04	SUPPORT FOR 4WD FRONT AXLE
1.25.3		CLUTCH, P.T.O.
1.28.7	01	CLUTCH ENGAGEMENT
1.28.7	02	CLUTCH ENGAGEMENT
1.28.7	03	CLUTCH ENGAGEMENT
1.28.7	04	CLUTCH ENGAGEMENT
1.28.7	05	CLUTCH ENGAGEMENT
1.28.7	06	CLUTCH ENGAGEMENT
1.28.7	07	CLUTCH ENGAGEMENT
1.28.7	08	CLUTCH ENGAGEMENT
1.28.7	09	CLUTCH ENGAGEMENT
1.28.7	10	CLUTCH ENGAGEMENT
1.29.6	01	HYDRAULIC GEARBOX CONTROL
1.29.6	02	HYDRAULIC GEARBOX CONTROL
1.29.6	03	HYDRAULIC GEARBOX CONTROL
1.29.7	01	GEARBOX LUBRICATION PIPING
1.29.7	02	GEARBOX LUBRICATION PIPING - C5315
1.29.7	03	GEARBOX LUBRICATION PIPING - D5315
1.32.0		TRANSMISSION, COVERS AND SUPPORTS
1.32.1	01	CENTRAL REDUCTION GEARS
1.32.1	02	CENTRAL REDUCTION GEARS
1.32.1	03	CENTRAL REDUCTION GEARS
1.32.1	04	CENTRAL REDUCTION GEARS
1.32.1	05	CENTRAL REDUCTION GEARS
1.32.1	06	CENTRAL REDUCTION GEARS
1.32.1	07	CENTRAL REDUCTION GEARS
1.32.1	08	CENTRAL REDUCTION GEARS
1.32.1	09	CENTRAL REDUCTION GEARS
1.32.1	10	CENTRAL REDUCTION GEARS
1.32.1	11	CENTRAL REDUCTION GEARS
1.32.2	01	CENTRAL REDUCTION GEAR CONTROLS
1.32.2	02	CENTRAL REDUCTION GEAR CONTROLS

---

## TABLE OF CONTENTS

---

1.32.2	03	CENTRAL REDUCTION GEAR CONTROLS
1.32.2	04	CENTRAL REDUCTION GEAR CONTROLS
1.32.4	01	DIFFERENTIAL GEARS
1.32.4	02	DIFFERENTIAL GEARS
1.32.6	01	DIFFERENTIAL LOCKS
1.32.6	02	DIFFERENTIAL LOCKS
1.32.8	01	PUMPS FOR HYDRAULIC SYSTEM AND LIFT
1.32.8	02	PUMPS FOR HYDRAULIC SYSTEM AND LIFT
1.32.8	03	PUMPS FOR HYDRAULIC SYSTEM AND LIFT
1.32.8	04	PUMPS FOR HYDRAULIC SYSTEM AND LIFT
1.32.8	05	PUMPS FOR HYDRAULIC SYSTEM AND LIFT
1.32.8/ A	01	PUMPS FOR HYDRAULIC SYSTEM AND LIFT - BREAKDOWN
1.32.8/ A	02	PUMPS FOR HYDRAULIC SYSTEM AND LIFT - BREAKDOWN
1.32.8/ A	03	PUMPS FOR HYDRAULIC SYSTEM AND LIFT - BREAKDOWN
1.32.8/ A	04	PUMPS FOR HYDRAULIC SYSTEM AND LIFT - BREAKDOWN
1.32.8/ A	05	PUMPS FOR HYDRAULIC SYSTEM AND LIFT - BREAKDOWN
1.32.8/ A	06	PUMPS FOR HYDRAULIC SYSTEM AND LIFT - BREAKDOWN
1.32.8/ B	01	PUMPS FOR HYDRAULIC SYSTEM AND LIFT - BREAKDOWN
1.32.8/ B	02	PUMPS FOR HYDRAULIC SYSTEM AND LIFT - BREAKDOWN
1.32.8/ B	03	PUMPS FOR HYDRAULIC SYSTEM AND LIFT - BREAKDOWN
1.32.8/ B	04	PUMPS FOR HYDRAULIC SYSTEM AND LIFT - BREAKDOWN
1.32.8/ B	05	PUMPS FOR HYDRAULIC SYSTEM AND LIFT - BREAKDOWN
1.32.8/ B	06	PUMPS FOR HYDRAULIC SYSTEM AND LIFT - BREAKDOWN
111	01	CREEPER TRANSMISSION
111	02	CREEPER TRANSMISSION
111	03	CREEPER TRANSMISSION
117	01	CREEPER TRANSMISSION FOR SEMI POWER SHIFT
117	02	CREEPER TRANSMISSION FOR SEMI POWER SHIFT
117	03	CREEPER TRANSMISSION FOR SEMI POWER SHIFT
146	01	CREEPER TRANSMISSION FOR FULL POWER SHIFT
146	02	CREEPER TRANSMISSION FOR FULL POWER SHIFT
181		TRANSMISSION OIL HEATER
225		FRONT WEIGHT CARRIER FOR FAN STYLED WEIGHTS
230		BALLAST WEIGHT SUPPORT FOR "SUPER STEER" FRONT AXLE
235-236		WEIGHT CARRIER
243	01	20X16 MECHANICAL GEAR BOX (40 KM/H) / CLUTCH

---

## TABLE OF CONTENTS

---

243	02	20X16 MECHANICAL GEAR BOX (40 KM/H) / TRANSMISSION GEARS
243	03	20X16 MECHANICAL GEAR BOX (40 KM/H) / TRANSMISSION GEARS
243	04	20X16 MECHANICAL GEAR BOX (40 KM/H) / TRANSMISSION GEARS
243	05	20X16 MECHANICAL GEAR BOX (40 KM/H) / TRANSMISSION GEARS
243	06	20X16 MECHANICAL GEAR BOX (40 KM/H) / TRANSMISSION GEARS
243	07	20X16 MECHANICAL GEAR BOX (40 KM/H) / CENTRAL REDUCTION GEARS
243	08	MECHANICAL GEAR BOX 20X16 (40 KM/H) / INTERNAL SHIFTING CONTROLS
243	09	MECHANICAL GEAR BOX 20X16 (40 KM/H) / INTERNAL SHIFTING CONTROLS
243	10	MECHANICAL GEAR BOX 20X16 (40 KM/H) / INTERNAL SHIFTING CONTROLS
243	11	MECHANICAL GEAR BOX 20X16 (40 KM/H) / INTERNAL SHIFTING CONTROLS
243	12	MECHANICAL GEAR BOX 20X16 (40 KM/H) / CENTRAL REDUCTION GEAR CONTROLS
243	13	MECHANICAL GEAR BOX 20X16 (40 KM/H) / CENTRAL REDUCTION GEAR CONTROLS
243	14	MECHANICAL GEAR BOX 20X16 (40 KM/H) / PUMPS FOR HYDRAULIC SYSTEM AND LIFT
243	15	MECHANICAL GEAR BOX 20X16 (40 KM/H) / PUMPS FOR HYDRAULIC SYSTEM AND LIFT
243	15A	MECHANICAL GEAR BOX 20X16 (40 KM/H) / PUMPS FOR HYDRAULIC SYSTEM AND LIFT
243	16	MECHANICAL GEAR BOX 20X16 (40 KM/H) / GEARBOX CONTROLS
243	17	MECHANICAL GEAR BOX 20X16 (40 KM/H) / GEARBOX CONTROLS
243	18	MECHANICAL GEAR BOX 20X16 (40 KM/H) / GEARBOX CONTROLS
243	19	MECHANICAL GEAR BOX 20X16 (40 KM/H) / LUBRICATION PIPING
243	20	MECHANICAL GEAR BOX 20X16 (40 KM/H) / HYDRAULIC CLUTCH CONTROLS
243	21	MECHANICAL GEAR BOX 20X16 (40 KM/H) / VALVE CONTROLS
243	22	MECHANICAL GEAR BOX 20X16 (40 KM/H) /MECHANICALLY CONTROLLED HYDRAULIC LIFT (OPEN CENTRE)
243	23	MECHANICAL GEAR BOX 20X16 (40 KM/H) /MECHANICALLY CONTROLLED HYDRAULIC LIFT (OPEN CENTRE)
243	24	MECHANICAL GEAR BOX 20X16 (40 KM/H) /MECHANICALLY CONTROLLED HYDRAULIC LIFT (OPEN CENTRE)
243	25	MECHANICAL GEAR BOX 20X16 (40 KM/H) /MECHANICALLY CONTROLLED HYDRAULIC LIFT (OPEN CENTRE)
243	26	MECHANICAL GEAR BOX 20X16 (40 KM/H) /MECHANICALLY CONTROLLED HYDRAULIC LIFT (OPEN CENTRE)
243	27	MECHANICAL GEAR BOX 20X16 (40 KM/H) /MECHANICALLY CONTROLLED HYDRAULIC LIFT (OPEN CENTRE)
243	28	MECHANICAL GEAR BOX 20X16 (40 KM/H) /MECHANICALLY CONTROLLED HYDRAULIC LIFT (OPEN CENTRE)
243	29	MECHANICAL GEAR BOX 20X16 (40 KM/H) /MECHANICALLY CONTROLLED HYDRAULIC LIFT (OPEN CENTRE)
243	30	MECHANICAL GEAR BOX 20X16 (40 KM/H) /MECHANICALLY CONTROLLED HYDRAULIC LIFT (OPEN CENTRE)
243	31	MECHANICAL GEAR BOX 20X16 (40 KM/H) / MECHANICALLY CONTROLLED HYDRAULIC LIFT (OPEN CENTRE)
243	32	MECHANICAL GEAR BOX 20X16 (40 KM/H) / MECHANICALLY CONTROLLED HYDRAULIC LIFT (OPEN CENTRE)
243	33	MECHANICAL GEAR BOX 20X16 (40 KM/H) /MECHANICALLY CONTROLLED HYDRAULIC LIFT (OPEN CENTRE)
243	34	MECHANICAL GEAR BOX 20X16 (40 KM/H) /MECHANICALLY CONTROLLED HYDRAULIC LIFT (OPEN CENTRE)



---

## TABLE OF CONTENTS

---

243/ A		PUMP BREAKDOWN FOR HYDRAULIC SYSTEM AND LIFT
243/ B		PUMP BREAKDOWN FOR HYDRAULIC SYSTEM AND LIFT
243/ C	01	LIFTER, DISTRIBUTOR AND VALVES BREAKDOWN
243/ C	02	LIFTER, DISTRIBUTOR AND VALVES BREAKDOWN
243/ C	03	LIFTER, DISTRIBUTOR AND VALVES BREAKDOWN
243/ D		SIMPLE/DOUBLE-ACTING EXTERNAL CONTROL VALVE BREAKDOWN
243/ E	01	DOUBLE-ACTING EXTERNAL CONTROL VALVE W/FLOAT AND AUTOMATIC CUTOUT BREAKDOWN
243/ E	02	DOUBLE-ACTING EXTERNAL CONTROL VALVE W/FLOAT AND AUTOMATIC CUTOUT BREAKDOWN
245		SIDE RAILS
272	01	HI-LO 24X12 (SHUTTLE 40 KM/H) / TRANSMISSION HOUSING
272	02	HI-LO 24X12 (SHUTTLE 40 KM/H) / HOUSING, REAR
272	03	HI-LO 24X12 (SHUTTLE 40 KM/H) / SERVO-CONTROL
272	04	HI-LO 24X12 (SHUTTLE 40 KM/H) / CLUTCH ENGAGEMENT
272	05	HI-LO 24X12 (SHUTTLE 40 KM/H) / TRANSMISSION GEARS
272	06	HI-LO 24X12 (SHUTTLE 40 KM/H) / TRANSMISSION GEARS
272	07	HI-LO 24X12 (SHUTTLE 40 KM/H) / TRANSMISSION GEARS
272	08	HI-LO 24X12 (SHUTTLE 40 KM/H) / CENTRAL REDUCTION GEARS
272	09	HI-LO 24X12 (SHUTTLE 40 KM/H) / INTERNAL SHIFTING CONTROLS
272	10	HI-LO 24X12 (SHUTTLE 40 KM/H) / INTERNAL SHIFTING CONTROLS
272	11	HI-LO 24X12 (SHUTTLE 40 KM/H) / INTERNAL SHIFTING CONTROLS
272	12	HI-LO 24X12 (SHUTTLE 40 KM/H) / INTERNAL SHIFTING CONTROLS
272	13	HI-LO 24X12 (SHUTTLE 40 KM/H) / CENTRAL REDUCTION GEAR CONTROLS
272	14	HI-LO 24X12 (SHUTTLE 40 KM/H) / CENTRAL REDUCTION GEAR CONTROLS
272	15	HI-LO 24X12 (SHUTTLE 40 KM/H) / GEARBOX CONTROL
272	16	HI-LO 24X12 (SHUTTLE 40 KM/H) / GEARBOX CONTROL
272	17	HI-LO 24X12 (SHUTTLE 40 KM/H) / LUBRICATION PIPING
272	18	HI-LO 24X12 (SHUTTLE 40 KM/H) / LUBRICATION PIPING
281	01	FULL POWER-SHIFT TRANS. 18X6 (40 KPH-4WD) AND 17X6 (30 KPH-2WD)
281	02	FULL POWER-SHIFT TRANS. 18X6 (40 KPH-4WD) AND 17X6 (30 KPH-2WD)
281	03	FULL POWER-SHIFT TRANS. 18X6 (40 KPH-4WD) AND 17X6 (30 KPH-2WD)
281	04	FULL POWER-SHIFT TRANS. 18X6 (40 KPH-4WD) AND 17X6 (30 KPH-2WD)
281	05	FULL POWER-SHIFT TRANS. 18X6 (40 KPH-4WD) AND 17X6 (30 KPH-2WD)
281	06	FULL POWER-SHIFT TRANS. 18X6 (40 KPH-4WD) AND 17X6 (30 KPH-2WD)
281	07	FULL POWER-SHIFT TRANS. 18X6 (40 KPH-4WD) AND 17X6 (30 KPH-2WD)
281	08	FULL POWER-SHIFT TRANS. 18X6 (40 KPH-4WD) AND 17X6 (30 KPH-2WD)
281	09	FULL POWER-SHIFT TRANS. 18X6 (40 KPH-4WD) AND 17X6 (30 KPH-2WD)

---

## TABLE OF CONTENTS

---

281	10	FULL POWER-SHIFT TRANS. 18X6 (40 KPH-4WD) AND 17X6 (30 KPH-2WD)
281	11	FULL POWER-SHIFT TRANS. 18X6 (40 KPH-4WD) AND 17X6 (30 KPH-2WD)
281	12	FULL POWER-SHIFT TRANS. 18X6 (40 KPH-4WD) AND 17X6 (30 KPH-2WD)
281	13	FULL POWER-SHIFT TRANS. 18X6 (40 KPH-4WD) AND 17X6 (30 KPH-2WD)
281	14	FULL POWER-SHIFT TRANS. 18X6 (40 KPH-4WD) AND 17X6 (30 KPH-2WD)
281	15	FULL POWER-SHIFT TRANS. 18X6 (40 KPH-4WD) AND 17X6 (30 KPH-2WD)
281	16	FULL POWER-SHIFT TRANS. 18X6 (40 KPH-4WD) AND 17X6 (30 KPH-2WD)
281	17	FULL POWER-SHIFT TRANS. 18X6 (40 KPH-4WD) AND 17X6 (30 KPH-2WD)
281	18	FULL POWER-SHIFT TRANS. 18X6 (40 KPH-4WD) AND 17X6 (30 KPH-2WD)
281	19	FULL POWER-SHIFT TRANS. 18X6 (40 KPH-4WD) AND 17X6 (30 KPH-2WD)
281	20	FULL POWER-SHIFT TRANS. 18X6 (40 KPH-4WD) AND 17X6 (30 KPH-2WD)
281	21	FULL POWER-SHIFT TRANS. 18X6 (40 KPH-4WD) AND 17X6 (30 KPH-2WD)
281	22	FULL POWER-SHIFT TRANS. 18X6 (40 KPH-4WD) AND 17X6 (30 KPH-2WD)
281	23	FULL POWER-SHIFT TRANS. 18X6 (40 KPH-4WD) AND 17X6 (30 KPH-2WD)
281	24	FULL POWER-SHIFT TRANS. 18X6 (40 KPH-4WD) AND 17X6 (30 KPH-2WD) - C5315
281	25	FULL POWER-SHIFT TRANS. 18X6 (40 KPH-4WD) AND 17X6 (30 KPH-2WD) - D5315
282	01	18X6 SEMI POWER-SHIFT TRANS. (40 KPH) - HOUSING, GEARS
282	02	18X6 SEMI POWER-SHIFT TRANS. (40 KPH) - CLUTCH, P.T.O.
282	03	18X6 SEMI POWER-SHIFT TRANS. (40 KPH) - CLUTCH ENGAGEMENT
282	04	18X6 SEMI POWER-SHIFT TRANS. (40 KPH) - CLUTCH ENGAGEMENT
282	05	18X6 SEMI POWER-SHIFT TRANS. (40 KPH) - CLUTCH ENGAGEMENT
282	06	18X6 SEMI POWER-SHIFT TRANS. (40 KPH) - CLUTCH ENGAGEMENT
282	07	18X6 SEMI POWER-SHIFT TRANS. (40 KPH) - CLUTCH ENGAGEMENT
282	08	18X6 SEMI POWER-SHIFT TRANS. (40 KPH) - CLUTCH ENGAGEMENT
282	09	18X6 SEMI POWER-SHIFT TRANS. (40 KPH) - CLUTCH ENGAGEMENT
282	10	18X6 SEMI POWER-SHIFT TRANS. (40 KPH) - HYDRAULIC GEARBOX CONTROL
282	11	18X6 SEMI POWER-SHIFT TRANS. (40 KPH) - HYDRAULIC GEARBOX CONTROL
282	12	18X6 SEMI POWER-SHIFT TRANS. (40 KPH) - HYDRAULIC GEARBOX CONTROL
282	13	18X6 SEMI POWER-SHIFT TRANSMISSION (40 KPH) - GEARBOX LUBRIFICATION PIPING
282	14	18X6 SEMI POWER-SHIFT TRANS. (40 KPH) - CENTRAL REDUCTION GEARS
282	15	18X6 SEMI POWER-SHIFT TRANS. (40 KPH) - CENTRAL REDUCTION GEARS
282	16	18X6 SEMI POWER-SHIFT TRANS. (40 KPH) - CENTRAL REDUCTION GEAR CONTROLS
282	17	18X6 SEMI POWER-SHIFT TRANS. (40 KPH)
295		HI-LO 23X12 (40 KM/H)
892		PULL HOOK
895/1		FRONT TOW HOOK (W/FRONT WEIGHTS)

---

TABLE OF CONTENTS

---

SEC. 03		TRANSMISSION
1.33.3	01	HYDRAULIC START CLUTCH (4WD)
1.33.3	02	HYDRAULIC START CLUTCH (4WD)
1.33.3	03	HYDRAULIC START CLUTCH (4WD)
1.33.3	04	HYDRAULIC START CLUTCH (4WD)
1.33.3	05	HYDRAULIC START CLUTCH (4WD)
1.38.5	01	FRONT AXLE PROPELLER SHAFT (4WD)
1.38.5	02	FRONT AXLE PROPELLER SHAFT (4WD)
1.38.5/ 1	01	FRONT AXLE PROPELLER SHAFT (4WD) - W/SUPERSTEER FRONT AXLE - C4592
1.38.5/ 1	02	FRONT AXLE PROPELLER SHAFT (4WD) - W/SUPERSTEER FRONT AXLE - D4592
1.38.5/ 2		FRONT AXLE PROPELLOR SHAFT (4WD) - W/FULL POWER-SHIFT 18X6 (40 KPH) & SUPERSTEER FRONT AXLE
1.38.5/ 3		FRONT AXLE PROPELLER SHAFT (4WD) W/HI-LO 24X12 (EQUIP.272) OR MECH.TRANS.20X16 (EQUIP.243)
1.40.0/ 1	01	4WD FRONT AXLE - BOX
1.40.0/ 1	02	4WD FRONT AXLE - BOX
1.40.0/ 1	03	4WD FRONT AXLE - BOX
1.40.0/ 2	01	4WD FRONT AXLE - STEERING AXLES - HUBS
1.40.0/ 2	02	4WD FRONT AXLE - STEERING AXLES - HUBS
1.40.0/ 2	03	4WD FRONT AXLE - STEERING AXLES - HUBS
1.40.0/ 4		4WD FRONT AXLE - LINK
1.40.0/ 5	01	4WD FRONT AXLE - SUPPORT
1.40.0/ 5	02	4WD FRONT AXLE - SUPPORT
1.40.0/ 5	03	4WD FRONT AXLE - SUPPORT
1.40.0/ 6	01	4WD FRONT AXLE - BEVEL GEAR PAIR
1.40.0/ 6	02	4WD FRONT AXLE - BEVEL GEAR PAIR
1.40.0/ 6	03	4WD FRONT AXLE - BEVEL GEAR PAIR
1.40.0/ 6	04	4WD FRONT AXLE - BEVEL GEAR PAIR
1.40.0/ 7	01	4WD FRONT AXLE - DIFFERENTIAL LOCKING
1.40.0/ 7	02	4WD FRONT AXLE - DIFFERENTIAL LOCKING
1.40.0/ 8		4WD FRONT AXLE - DIFFERENTIAL LOCK
1.40.0/ 9		4WD FRONT AXLE - HYDRAULIC DIFFERENTIAL LOCK
1.40.0/10	01	4WD FRONT AXLE - DIFFERENTIAL GEARS AND DIFFERENTIAL SHAFH
1.40.0/10	02	4WD FRONT AXLE - DIFFERENTIAL GEARS AND DIFFERENTIAL SHAFT
1.40.0/10A		4WD FRONT AXLE - AXLE-SHAFT ARTICULATED BREAKDOWN
1.40.0/10B		4WD FRONT AXLE - AXLE-SHAFT ARTICULATED BREAKDOWN
1.40.0/12	01	4WD FRONT AXLE - HYDRAULIC CYLINDER
1.40.0/12	02	4WD FRONT AXLE - HYDRAULIC STEERING CYLINDER

---

## TABLE OF CONTENTS

---

1.40.0/12A		4WD FRONT AXLE - HYDRAULIC CYLINDER BREAKDOWN
1.41.0	01	2WD FRONT AXLE - BODY
1.41.0	02	2WD FRONT AXLE - TRACK ROD ASSY
1.41.0	03	FRONT AXLE (2WD) - HYDRAULIC STEERING CYLINDER
1.42.0	01	POWER STEERING HYDRAULIC CONTROL
1.42.0	02	POWER STEERING HYDRAULIC CONTROL
1.42.0	03	POWER STEERING HYDRAULIC CONTROL - W/SUPERSTEER FRONT AXLE
316	01	CLASS 3 FRONT AXLE WITH BRAKE
316	02	CLASS 3 FRONT AXLE WITH BRAKE
316	02A	CLASS 3 FRONT AXLE WITH BRAKE
316	03	CLASS 3 FRONT AXLE WITH BRAKE
316	04	CLASS 3 FRONT AXLE WITH BRAKE
316	05	CLASS 3 FRONT AXLE WITH BRAKE
316	06	CLASS 3 FRONT AXLE WITH BRAKE
416	01	SUPERSTEER FRONT AXLE 4WD
416	02	SUPERSTEER FRONT AXLE 4WD
416	03	SUPERSTEER FRONT AXLE 4WD
416	04	SUPERSTEER FRONT AXLE 4WD
416	05	SUPERSTEER FRONT AXLE 4WD
416	06	SUPERSTEER FRONT AXLE 4WD
416	07	SUPERSTEER FRONT AXLE 4WD
416	08	SUPERSTEER FRONT AXLE 4WD
416	09	SUPERSTEER FRONT AXLE 4WD
416	10	SUPERSTEER FRONT AXLE 4WD
416	11	SUPERSTEER FRONT AXLE 4WD
416	12	SUPERSTEER FRONT AXLE 4WD
416	12A	SUPERSTEER FRONT AXLE 4WD
416	13	SUPERSTEER FRONT AXLE 4WD
416	14	SUPERSTEER FRONT AXLE 4WD
416	15	SUPERSTEER FRONT AXLE 4WD
416	16	SUPERSTEER FRONT AXLE 4WD
420	01	4WD FRONT AXLE WITH SUSPENSIONS AND "TERRALOCK" - SEMI POWER SHIFT
420	02	4WD FRONT AXLE WITH SUSPENSIONS AND "TERRALOCK" - SEMI POWER SHIFT
420	03	4WD FRONT AXLE WITH SUSPENSIONS AND "TERRALOCK" - SEMI POWER SHIFT
420	04	4WD FRONT AXLE WITH SUSPENSIONS AND "TERRALOCK" - SEMI POWER SHIFT
420	05	4WD FRONT AXLE WITH SUSPENSIONS AND "TERRALOCK" - SEMI POWER SHIFT

---

## TABLE OF CONTENTS

---

420	06	4WD FRONT AXLE WITH SUSPENSIONS AND "TERRALOCK" - SEMI POWER SHIFT
420	07	4WD FRONT AXLE WITH SUSPENSIONS AND "TERRALOCK" - SEMI POWER SHIFT
420	08	4WD FRONT AXLE WITH SUSPENSIONS AND "TERRALOCK" - SEMI POWER SHIFT
420	09	4WD FRONT AXLE WITH SUSPENSIONS AND "TERRALOCK" - SEMI POWER SHIFT
420	10	4WD FRONT AXLE WITH SUSPENSIONS AND "TERRALOCK" - SEMI POWER SHIFT
420	11	4WD FRONT AXLE WITH SUSPENSIONS AND "TERRALOCK" - SEMI POWER SHIFT
420	12	4WD FRONT AXLE WITH SUSPENSIONS AND "TERRALOCK" - SEMI POWER SHIFT
420	13	4WD FRONT AXLE WITH SUSPENSIONS AND "TERRALOCK" - SEMI POWER SHIFT
420	14	4WD FRONT AXLE WITH SUSPENSIONS AND "TERRALOCK" - SEMI POWER SHIFT
420	15	4WD FRONT AXLE WITH SUSPENSIONS AND "TERRALOCK" - SEMI POWER SHIFT
420	16	4WD FRONT AXLE WITH SUSPENSIONS AND "TERRALOCK" - SEMI POWER SHIFT
420	17	4WD FRONT AXLE WITH SUSPENSIONS AND "TERRALOCK" - SEMI POWER SHIFT
420	18	4WD FRONT AXLE WITH SUSPENSIONS AND "TERRALOCK" - SEMI POWER SHIFT
420	19	4WD FRONT AXLE WITH SUSPENSIONS AND "TERRALOCK" - SEMI POWER SHIFT
420	20	4WD FRONT AXLE WITH SUSPENSIONS AND "TERRALOCK" - SEMI POWER SHIFT
420	21	4WD FRONT AXLE WITH SUSPENSIONS AND "TERRALOCK" - SEMI POWER SHIFT
420	22	4WD FRONT AXLE WITH SUSPENSIONS AND "TERRALOCK" - SEMI POWER SHIFT
420	23	4WD FRONT AXLE WITH SUSPENSIONS AND "TERRALOCK" - SEMI POWER SHIFT
420	24	4WD FRONT AXLE WITH SUSPENSIONS AND "TERRALOCK" - SEMI POWER SHIFT
420/A		4WD FRONT AXLE WITH SUSPENSIONS AND "TERRALOCK" - SEMI POWER SHIFT
436		RICE FIELD VERSION FOR SEMI POWER-SHIFT TRANSMISSION
436/1		RICE FIELD VERSION FOR FULL POWER-SHIFT & SEMI POWER-SHIFT TRANSMISSIONS
440/ A		(VAR.440,440/1,440/2) 2 CONTROL VALVES WITH MECHANICAL JOYSTICK FOR LOADER - PARTS COMPONENTS
444/ A		(VAR.444,714,714/1) 2 CONTROL VALVES WITH MECHANICAL JOYSTICK FOR FRONT LIFT - PARTS COMPONENTS
449	01	RICE FIELD VERSION
449	02	RICE FIELD VERSION
449	03	RICE FIELD VERSION
452	01	CLASS 3 FRONT AXLE WITH STEERING SENSOR
452	02	CLASS 3 FRONT AXLE WITH STEERING SENSOR
452/ 1	01	CLASS 3 FRONT AXLE WITH BRAKE AND STEERING SENSOR
452/ 1	02	CLASS 3 FRONT AXLE WITH BRAKE AND STEERING SENSOR
452/ 1	03	CLASS 3 FRONT AXLE WITH BRAKE AND STEERING SENSOR
452/ 1	03A	CLASS 3 FRONT AXLE WITH BRAKE AND STEERING SENSOR
452/ 1	04	CLASS 3 FRONT AXLE WITH BRAKE AND STEERING SENSOR
452/ 1	05	CLASS 3 FRONT AXLE WITH BRAKE AND STEERING SENSOR
452/ 1	06	CLASS 3 FRONT AXLE WITH BRAKE AND STEERING SENSOR

---

## TABLE OF CONTENTS

---

452/ 1	07	CLASS 3 FRONT AXLE WITH BRAKE AND STEERING SENSOR
452/ 2	01	CLASS 3 FRONT AXLE WITH BRAKE AND STEERING SENSOR
452/ 2	02	CLASS 3 FRONT AXLE WITH BRAKE AND STEERING SENSOR
452/ 2	02A	CLASS 3 FRONT AXLE WITH BRAKE AND STEERING SENSOR
452/ 2	03	CLASS 3 FRONT AXLE WITH BRAKE AND STEERING SENSOR
452/ 2	04	CLASS 3 FRONT AXLE WITH BRAKE AND STEERING SENSOR
452/ 2	05	CLASS 3 FRONT AXLE WITH BRAKE AND STEERING SENSOR
452/ 2	06	CLASS 3 FRONT AXLE WITH BRAKE AND STEERING SENSOR
452/ 3	01	4WD FRONT AXLE WITH SUSPENSIONS,BRAKE AND "TERRALOCK" - SEMI POWER SHIFT
452/ 3	02	4WD FRONT AXLE WITH SUSPENSIONS,BRAKE AND "TERRALOCK" - SEMI POWER SHIFT
452/ 3	03	4WD FRONT AXLE WITH SUSPENSIONS,BRAKE AND "TERRALOCK" - SEMI POWER SHIFT
452/ 3	03A	4WD FRONT AXLE WITH SUSPENSIONS,BRAKE AND "TERRALOCK" - SEMI POWER SHIFT
452/ 3	04	4WD FRONT AXLE WITH SUSPENSIONS,BRAKE AND "TERRALOCK" - SEMI POWER SHIFT
452/ 3	05	4WD FRONT AXLE WITH SUSPENSIONS,BRAKE AND "TERRALOCK" - SEMI POWER SHIFT
452/ 3	06	4WD FRONT AXLE WITH SUSPENSIONS,BRAKE AND "TERRALOCK" - SEMI POWER SHIFT
452/ 3	07	4WD FRONT AXLE WITH SUSPENSIONS,BRAKE AND "TERRALOCK" - SEMI POWER SHIFT
452/ 3	08	4WD FRONT AXLE WITH SUSPENSIONS,BRAKE AND "TERRALOCK" - SEMI POWER SHIFT
452/ 3	09	4WD FRONT AXLE WITH SUSPENSIONS,BRAKE AND "TERRALOCK" - SEMI POWER SHIFT
463	01	4WD FRONT AXLE WITH SUSPENSIONS AND "TERRALOCK" - FULL POWER SHIFT
463	02	4WD FRONT AXLE WITH SUSPENSIONS AND "TERRALOCK" - FULL POWER SHIFT
463	03	4WD FRONT AXLE WITH SUSPENSIONS AND "TERRALOCK" - FULL POWER SHIFT
463	04	4WD FRONT AXLE WITH SUSPENSIONS AND "TERRALOCK" - FULL POWER SHIFT
463	05	4WD FRONT AXLE WITH SUSPENSIONS AND "TERRALOCK" - FULL POWER SHIFT
463	06	4WD FRONT AXLE WITH SUSPENSIONS AND "TERRALOCK" - FULL POWER SHIFT
463	07	4WD FRONT AXLE WITH SUSPENSIONS AND "TERRALOCK" - FULL POWER SHIFT
463	08	4WD FRONT AXLE WITH SUSPENSIONS AND "TERRALOCK" - FULL POWER SHIFT
463	09	4WD FRONT AXLE WITH SUSPENSIONS AND "TERRALOCK" - FULL POWER SHIFT
463	10	4WD FRONT AXLE WITH SUSPENSIONS AND "TERRALOCK" - FULL POWER SHIFT
463	11	4WD FRONT AXLE WITH SUSPENSIONS AND "TERRALOCK" - FULL POWER SHIFT
463	12	4WD FRONT AXLE WITH SUSPENSIONS AND "TERRALOCK" - FULL POWER SHIFT
463	13	4WD FRONT AXLE WITH SUSPENSIONS AND "TERRALOCK" - FULL POWER SHIFT
463	14	4WD FRONT AXLE WITH SUSPENSIONS AND "TERRALOCK" - FULL POWER SHIFT
463	15	4WD FRONT AXLE WITH SUSPENSIONS AND "TERRALOCK" - FULL POWER SHIFT
463	16	4WD FRONT AXLE WITH SUSPENSIONS AND "TERRALOCK" - FULL POWER SHIFT
463	17	4WD FRONT AXLE WITH SUSPENSIONS AND "TERRALOCK" - FULL POWER SHIFT
463/ A		4WD FRONT AXLE WITH SUSPENSIONS AND "TERRALOCK" - FULL POWER SHIFT

---

## TABLE OF CONTENTS

---

463/ 1	01	4WD FRONT AXLE WITH SUSPENSIONS,BRAKE AND "TERRALOCK" - FULL POWER SHIFT
463/ 1	02	4WD FRONT AXLE WITH SUSPENSIONS,BRAKE AND "TERRALOCK" - FULL POWER SHIFT
463/ 1	03	4WD FRONT AXLE WITH SUSPENSIONS,BRAKE AND "TERRALOCK" - FULL POWER SHIFT
463/ 1	04	4WD FRONT AXLE WITH SUSPENSIONS,BRAKE AND "TERRALOCK" - FULL POWER SHIFT
463/ 1	05	4WD FRONT AXLE WITH SUSPENSIONS,BRAKE AND "TERRALOCK" - FULL POWER SHIFT
SEC. 04		FRONT AXLE
1.48.0		SIDE REDUCTION UNIT (FINAL DRIVE) HOUSING AND COVERS
1.48.1	01	FINAL DRIVE, GEARS AND SHAFTS
1.48.1	02	FINAL DRIVE, GEARS AND SHAFTS
1.48.1	03	FINAL DRIVE, GEARS AND SHAFTS
1.65.3		TRANSMISSION BRAKE
1.65.5	01	PARKING BRAKE - C4806
1.65.5	01A	PARKING BRAKE - D4806
385	01	PNEUMATIC TRAILER BRAKES
385	02	PNEUMATIC TRAILER BRAKES
385	03	PNEUMATIC TRAILER BRAKES
385	04	PNEUMATIC TRAILER BRAKES
385	05	PNEUMATIC TRAILER BRAKES
385	06	PNEUMATIC TRAILER BRAKES (UNIVERSAL)
385	07	PNEUMATIC TRAILER BRAKES (ITALY)
385	08	PNEUMATIC TRAILER BRAKES (GERMANY)
385	09	PNEUMATIC TRAILER BRAKES
385	10	PNEUMATIC TRAILER BRAKES
385	11	PNEUMATIC TRAILER BRAKES (GERMANY)
385	12	PNEUMATIC TRAILER BRAKES (UNIVERSAL & ITALY)
385	13	PNEUMATIC TRAILER BRAKES
385	14	PNEUMATIC TRAILER BRAKES
385	15	PNEUMATIC TRAILER BRAKES
385	16	PNEUMATIC TRAILER BRAKES
385/A		PNEUMATIC TRAILER BRAKES - AIR COMPRESSOR BREAKDOWN
396		LOGIC BRAKING VALVE
431		EXTRA LONG AXLE WITH HUB FOR SHEET STEEL DISC
431/1		EXTRA LONG AXLE WITH HUB FOR CAST DISC
437		LONG AXLE FOR NON-TWIN WHEELS WITH SHEET STEEL DISC
437/1		LONG AXLE FOR HELTED RAIL DISC
438		OUTER HUB FOR TWIN WHEELS

---

## TABLE OF CONTENTS

---

467-468-469		REAR WEIGHTS FOR RAIL DISCS
470-471		REAR WEIGHTS FOR SHEET STEEL DISCS
470-471-472		REAR WEIGHTS FOR SHEET STEEL DISCS
476-477		REAR WEIGHTS FOR SHEET STEEL DISCS
740	01	TERRALOCK
740	02	TERRALOCK
740	03	TERRALOCK
740/1	01	TERRALOCK W/HI-LO
740/1	02	TERRALOCK W/HI-LO
740/1	03	TERRALOCK W/HI-LO
SEC. 05		REAR AXLE
001		FRANCE VERSION - LICENSE PLATE & LAMP
007	01	NORTH AMERICA VERSION - WORK LIGHTS
1.74.2	01	BATTERY & BATTERY MOUNTING
1.74.2	02	BATTERY & BATTERY MOUNTING
1.75.1		ELECTRIC SYSTEM, HORN & HORN MOUNTING
1.75.3	01	BATTERY CABLES
1.75.3	02	BATTERY CABLES
1.75.4		ELECTRICAL SYSTEM CABLES
1.75.6		HEADLAMP - REFLECTOR
1.75.6/A		HEADLAMP
177		AUXILIARY LIGHTS KIT (RIGHT-HAND DRIVE)
177/1		AUXILIARY LIGHTS KIT (LEFT-HAND DRIVE)
628		REAR AUXILIARY "SAE" POWER SOCKET ADAPTOR
743		RADAR UNIT - JAPAN
743/ 1		RADAR UNIT - NHA
749		RADAR UNIT - UK
753		RADAR FOR ALL COUNTRIES EXCEPT UK/AMERICA/JAPAN
759		SLOW MOVING VEHICLE SIGN
762		ROTARY BEACON
766		APPLICATION OF WORK SPOT-LIGHTS ON MUDGUARDS
768		APPLICATION OF WORK SPOT-LIGHTS ON EXTERIOR CAB HANDLE
774		40 AMP FRONT IMPLEMENT SOCKET
838		OUTER P.T.O. CONTROL MOUNTED ON MUDGUARDS
965		LICENSE PLATE LAMP & SUPPORT, MOUNTING ON MUDGUARD
966		LICENSE PLATE LAMP & SUPPORT, MOUNTING ON CAB ROOF



---

**TABLE OF CONTENTS**

---

<b>SEC. 06</b>		<b>ELECTRICAL</b>
1.80.1	01	POWER TAKE-OFF
1.80.1	02	POWER TAKE-OFF
1.80.1	03	POWER TAKE-OFF
1.80.1	04	POWER TAKE-OFF
1.80.7	01	PTO, CLUTCH
1.80.7	02	PTO, CLUTCH
1.80.7	03	PTO, CLUTCH
1.80.7	04	PTO, CLUTCH
1.82.0		LIFTER, HOUSING AND COVERS
1.82.1	01	LIFTER, LINES
1.82.1	02	LIFTER, LINES
1.82.1	03	LIFTER, LINES
1.82.6		LIFTER, PISTON AND CYLINDER
1.82.7	01	EXTRA EXTERNAL CONTROL VALVES AND PIPES - C4660
1.82.7	02	EXTRA EXTERNAL CONTROL VALVES AND PIPES - C4660
1.82.7/ A		CENTRAL HOUSING BREAKDOWN (REMOTE VALVE) - C4660
1.82.7/ B		REMOTE CONTROL VALVE BREAKDOWN (EDC VALVE) - C4660
1.82.7/ C		REMOTE CONTROL VALVE BREAKDOWN - C4660
1.82.7/ 1	01	EXTRA EXTERNAL CONTROL VALVES AND PIPES - D4660
1.82.7/ 1	02	EXTRA EXTERNAL CONTROL VALVES AND PIPES - D4660
1.82.7/ 1A		CENTRAL HOUSING BREAKDOWN (REMOTE VALVE) - D4660
1.82.7/ 1B		REMOTE CONTROL VALVE BREAKDOWN (EDC VALVE) - D4660
1.82.7/ 1C		REMOTE CONTROL VALVE BREAKDOWN - D4660
1.82.8		LIFTER, ROCK SHAFT AND ASSOCIATES (HYDRAULIC LIFT)
362		CONVERSION FROM 4-POSITIONS WITH KICK OUT TO 4-POSITIONS WITHOUT KICK OUT
362/1		CONVERSION FROM 4-POSITIONS TO 3-POSITIONS AND WITHOUT KICK OUT
362/2		CONVERSION FROM 4-POSITIONS W/KICK OUT TO 4-POSITIONS WITHOUT KICK OUT, WITH DETENT ONLY IN FLOAT
371		TRAILER BRAKE VALVE FOR OPEN CENTRE
372	01	TRAILER BRAKE VALVE FOR OPEN CENTRE (ITALY)
372	02	TRAILER BRAKE VALVE FOR OPEN CENTRE (ITALY)
372/ A		TRAILER BRAKE VALVE FOR OPEN CENTRE
406	01	3RD & 4TH REMOTE VALVE / OPEN CENTRE
406	02	3RD & 4TH REMOTE VALVE / OPEN CENTRE
406	03	3RD & 4TH REMOTE VALVE / OPEN CENTRE
406	04	3RD & 4TH REMOTE VALVE / OPEN CENTRE

---

## TABLE OF CONTENTS

---

406	05	3RD & 4TH REMOTE VALVE / OPEN CENTRE
406/ A		FLOW-RATE REGULATOR BREAKDOWN / OPEN CENTRE
414	01	TRAILER BRAKE VALVE FOR LOAD SENSING CLOSED CENTRE (CCLS)
414	02	TRAILER BRAKE VALVE FOR LOAD SENSING CLOSED CENTRE (CCLS)
414/A		TRAILER BRAKE BREAKDOWN VALVE FOR LOAD SENSING CLOSED CENTRE (CCLS)
418	01	TRAILER BRAKE VALVE FOR LOAD SENSING CLOSED CENTRE (CCLS) - ITALY
418	02	TRAILER BRAKE VALVE FOR LOAD SENSING CLOSED CENTRE (CCLS)-ITALY
418	03	TRAILER BRAKE VALVE FOR LOAD SENSING CLOSED CENTRE (CCLS)-ITALY
425	01	4-CONTROL VALVE UNIT W/LEVER CONTROL FOR CCLS - C4660
425	02	4-CONTROL VALVE UNIT W/LEVER CONTROL FOR CCLS - C4660
425	03	4-CONTROL VALVE UNIT W/LEVER CONTROL FOR CCLS - D4660
425	04	4-CONTROL VALVE UNIT W/LEVER CONTROL FOR CCLS - D4660
425	05	4-CONTROL VALVE UNIT W/LEVER CONTROL FOR CCLS
440	01	VALVE CONTROL UNIT WITH JOYSTICK FOR LOADER
440	02	VALVE CONTROL UNIT WITH JOYSTICK FOR LOADER
440/ 1	01	VALVE CONTROL UNIT WITH JOYSTICK FOR LOADER W/HI-LO
440/ 1	02	VALVE CONTROL UNIT WITH JOYSTICK FOR LOADER W/HI-LO
440/ 2	01	VALVE CONTROL UNIT WITH JOYSTICK FOR LOADER W/CAB SUSP.
440/ 2	02	VALVE CONTROL UNIT WITH JOYSTICK FOR LOADER W/CAB SUSP.
444	01	VALVE CONTROL UNIT WITH JOYSTICK FOR FRONT LIFT
444	02	VALVE CONTROL UNIT WITH JOYSTICK FOR FRONT LIFT
444	03	VALVE CONTROL UNIT WITH JOYSTICK FOR FRONT LIFT
573	01	3RD REMOTE VALVE FOR CCLS
573	02	3RD REMOTE VALVE FOR CCLS
574	01	4TH REMOTE VALVE FOR CCLS
574	02	4TH REMOTE VALVE FOR CCLS
714	01	VALVE CONTROL UNIT WITH JOYSTICK FOR FRONT LIFT W/HI-LO
714	02	VALVE CONTROL UNIT WITH JOYSTICK FOR FRONT LIFT W/HI-LO
714	03	VALVE CONTROL UNIT WITH JOYSTICK FOR FRONT LIFT W/HI-LO
714/ 1	01	VALVE CONTROL UNIT WITH JOYSTICK FOR FRONT LIFT W/CAB SUSP.
714/ 1	02	VALVE CONTROL UNIT WITH JOYSTICK FOR FRONT LIFT W/CAB SUSP.
714/ 1	03	VALVE CONTROL UNIT WITH JOYSTICK FOR FRONT LIFT W/CAB SUSP.
715	01	DISTRIBUTOR W/3 VALVES
715	02	DISTRIBUTOR W/3 VALVES
715	03	DISTRIBUTOR W/3 VALVES
715/ A		SIMPLE/DOUBLE-ACTING CONTROL VALVE BREAKDOWN W/FLOAT COMMUTATION

---

TABLE OF CONTENTS

---

723	01	4-CONTROL VALVE UNIT W/JOYSTICK CONTROL FOR CCLS
723	02	4-CONTROL VALVE UNIT W/JOYSTICK CONTROL FOR CCLS
781		FRONT HPL AND FRONT P.T.O. (W/6 SPLINE) "CCLS"
809	01	POWER TAKE-OFF 540/1000 RPM WITH SPRING - C4730
809	01A	POWER TAKE-OFF 540/1000 RPM WITH SPRING - D4730
815	01	SYNCHRO MESH GEARED POWER TAKE-OFF
815	02	SYNCHRO MESH GEARED POWER TAKE-OFF
817	01	POWER TAKE-OFF 540/750/1000 RPM
817	02	POWER TAKE-OFF 540/750/1000 RPM
847	01	SYNCHRO MESH GEARED POWER TAKE-OFF
847	02	SYNCHRO MESH GEARED POWER TAKE-OFF
SEC. 07		HYDRAULICS
1.83.0	01	HOOD
1.83.0	02	HOOD
1.83.0	03	HOOD
1.83.0	04	HOOD
1.83.0	05	TOOL BOX - ENGINE GUARD
497	01	DYNAMIC FRONT FENDERS (4WD)
497	02	DYNAMIC FRONT FENDERS (4WD)
497/1	01	DYNAMIC FRONT FENDERS (4WD) FOR SUPERSTEER OR SUSP. FRONT AXLE
497/1	02	DYNAMIC FRONT FENDERS (4WD) FOR SUPERSTEER OR SUSP.FRONT AXLE
SEC. 08		SHEET METAL
1.89.6	01	TOOLING CONNECTION UNIT
1.89.6	02	TOOLING CONNECTION UNIT
1.89.6	03	TOOLING CONNECTION UNIT
1.89.6/ A		TOOLING CONNECTION UNIT BREAKDOWN (P/N 5176738 & 5189332)
1.89.6/ B		TOOLING CONNECTION UNIT BREAKDOWN (P/N 5172389)
1.89.6/ C		TOOLING CONNECTION UNIT BREAKDOWN (P/N 5174406)
1.89.6/ D	01	TOOLING CONNECTION UNIT BREAKDOWN - C5165
1.89.6/ D	01A	LIFT - LINK BREAKDOWN - D5165
1.89.6/ E	01	TOOLING CONNECTION UNIT BREAKDOWN (P/N 5174532 & 5174401)
1.89.9		LATERAL STABILIZERS
569	01	AUTOMATIC HITCH (WITH 1 ADDITIONAL JACK)
569	02	AUTOMATIC HITCH (WITH 1 ADDITIONAL JACK)
569	03	AUTOMATIC HITCH (WITH 1 ADDITIONAL JACK)
742		AUTO LINKAGE STABILIZERS FOR SUSP. CAB

**Thanks very much for your reading,  
Want to get more information,  
Please click here, Then get the complete  
manual**

**JustClickHere** 

**NOTE:**

**If there is no response to click on the link above,  
please download the PDF document first, and then  
click on it.**

**Have any questions please write to me:  
[admin@servicemanualperfect.com](mailto:admin@servicemanualperfect.com)**